

KONTI 500 - 700 Baler

J-Series



Kadant PAAL's channel baler features high throughput and bale weights with low energy consumption.

Kadant PAAL was founded in 1854 in Osnabrück, Germany. Since its introduction of the first continuously operated horizontal baler in 1960, PAAL has delivered more than 31,000 machines and today is the #1 channel baler manufacturer in Europe.

KONTI J-Series Baler Overview



Features

- Vertical, horizontal or cross tying system for difficult materials
- Tying system using steel or PET wire
- Modern axial piston pumps with low drive power
- Advanced positional ram measurement system
- Larger door at rear section of baler
- Improved app-oriented operator interface and PLC with remote maintenance
- XL-Version especially designed for baling plastics



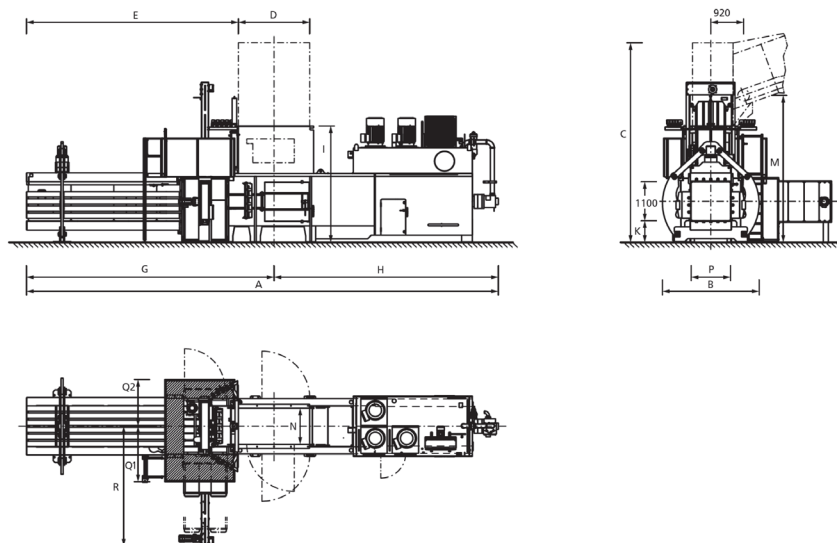
Benefits

- High throughput and bale weights
- Low energy consumption
- Simple operation and maintenance
- Low total cost of ownership

PAAL®

Technical Data and Measurements

KONTI Baler J- Series			500	600	700
Pressing force		t (kN)	122 (1.197)	158 (1.546)	198 (1.940)
Spec. pressing force		N/cm ²	99	128	160
Hydraulic reference pressure		bar	315	315	315
Tunnel cross section		cm	110 x 110	110 x 110	110 x 110
Hopper opening		cm	200 x 102	200 x 102	200 x 102
Feeding volume		ca.m ³	3.45	3.45	3.45
Tying system (V-vertical, H-horizontal, X-crossed) & Number of wires		Type - pieces	V-5 / H-5 / X-5+4	V-5 / H-5 / X-5+4	V-5 / H-5 / X-5+4
Driving power	(ranging from - to)	kW	45 - 2 x 75	2 x 37 - 3 x 75	2 x 45 - 4 x 75
Hydraulic pump flow	(ranging from - to)	l/min	260 - 2 x 420	2 x 260 - 3 x 420	2 x 260 - 4 x 420
Oil reservoir capacity	(ranging from - to)	l	750 - 2100	1250 - 3100	1250 - 4000
Maximum performance without material	(ranging from - to)	max. m ³ /h	429 - 1135	631 - 1267	518 - 1323
			Baler Capacity (Tonnes per Hour)		
• 15 kg/m ³ (e.g. foil)	(ranging from - to)	ca t/h	4 - 12	6 - 14	5 - 15
• 35 kg/m ³ (e.g. flattened OCC)	(ranging from - to)	ca t/h	10 - 28	14 - 32	12 - 33
• 60 kg/m ³ (e.g. mixed paper)	(ranging from - to)	ca t/h	17 - 44	23 - 51	21 - 54
• 80 kg/m ³ (e.g. mixed paper)	(ranging from - to)	ca t/h	22 - 55	29 - 64	26 - 69
• 100 kg/m ³ (e.g. newspaper, magazines)	(ranging from - to)	ca t/h	25 - 60	34 - 73	32 - 80
Baler weight (dependent on options)		t	41	48	56
Sound level without material at 1 m distance		dB(A)	< 85	< 85	< 85



KONTI 500	A	B	C	D	E	G	H	I	K	L	M	N	P	Q1	Q2	R
Vertical	13445	2660	5640	2000	5932	6932	6513	3290	605	1100	4160	1020	1100	1615	1370	-
Horizontal	13445	2800	5465	2000	5932	6932	6513	3115	435	1100	3950	1020	1100	-	-	3390
Crossed	13445	2660	5640	2000	5932	6932	6513	3290	605	1100	4160	1020	1100	1615	1370	3388

KONTI 600	A	B	C	D	E	G	H	I	K	L	M	N	P	Q1	Q2	R
Vertical	14145	2710	5640	2000	6632	7632	6513	3290	605	1100	4160	1020	1100	1615	1370	-
Horizontal	14145	2800	5465	2000	6632	7632	6513	3115	435	1100	3950	1020	1100	-	-	3390
Crossed	14145	2710	5640	2000	6632	7632	6513	3290	605	1100	4160	1020	1100	1615	1370	3388

KONTI 700	A	B	C	D	E	G	H	I	K	L	M	N	P	Q1	Q2	R
Vertical	14895	2810	5640	2000	7332	8332	6563	3290	605	1100	4160	1020	1100	1615	1370	-
Horizontal	14895	2800	5465	2000	7332	8332	6563	3115	435	1100	3950	1020	1100	-	-	3390
Crossed	14895	2810	5640	2000	7332	8332	6563	3290	605	1100	4160	1020	1100	1615	1370	3388

Dimensions are in millimeters.

Specifications are for reference only and subject to change.