

# KONTI 275 - 425 Baler

**J-Series**



Kadant PAAL's KONTI channel baler features high throughput and bale weights with low energy consumption.

Kadant PAAL was founded in 1854 in Osnabrück, Germany. Since its introduction of the first continuously operated horizontal baler in 1960, PAAL has delivered more than 31,000 machines and today is the #1 channel baler manufacturer in Europe.

## KONTI J-Series Baler Overview



### Features

- Vertical tying system and additional horizontal tying system for difficult materials
- Tying system using steel or PET wire
- Modern axial piston pumps with low drive power
- Advanced positional ram measurement system
- Larger door at rear section of baler
- Improved app-oriented operator interface and PLC with remote maintenance
- XL-Version especially designed for baling plastics



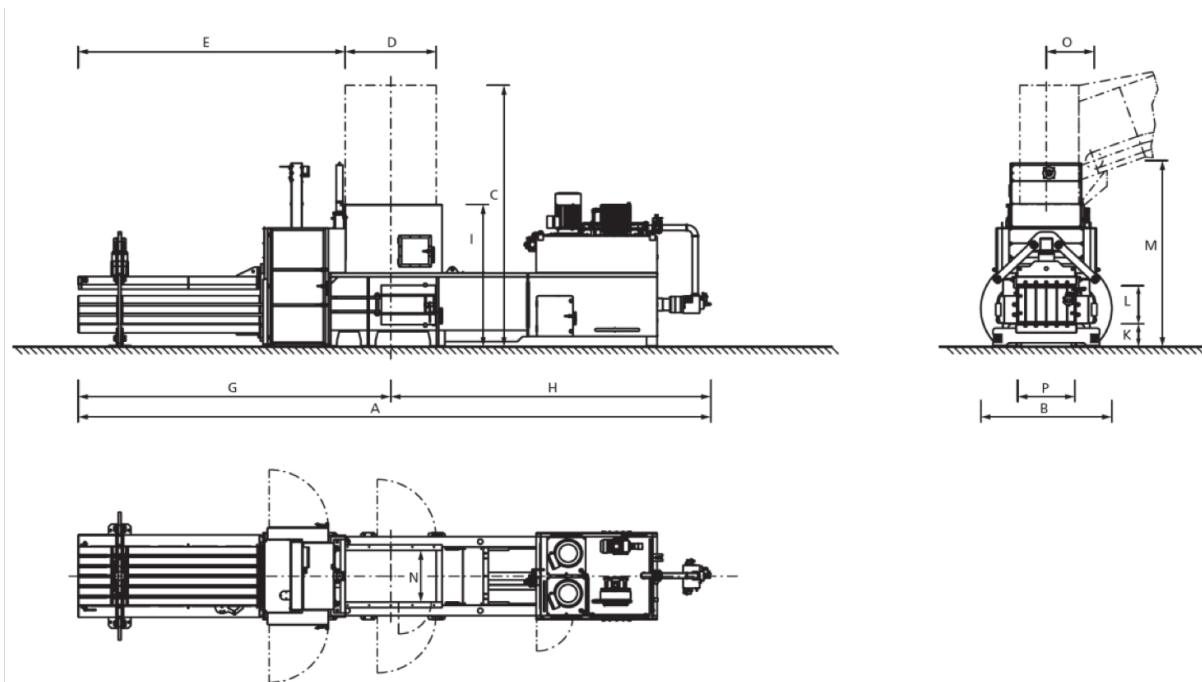
### Benefits

- High throughput and bale weights
- Low energy consumption
- Simple operation and maintenance
- Low total cost of ownership

**PAAL**®

## Technical Data and Measurements

KONTI Baler J- Series			275	325	425
Pressing force	t (kN)		82 (802)	101 (990)	122 (1.197)
Spec. pressing force	N/cm <sup>2</sup>		97	120	145
Hydraulic reference pressure	bar		315	315	315
Tunnel cross section	cm		75 x 110	75 x 110	75 x 110
Hopper opening	cm		160/175 x 102	175/200 x 102	200 x 102
Feeding volume	ca.m <sup>3</sup>		2.0	2.15	2.4
Tying system (V-vertical, H-horizontal, X-crossed) & Number of wires	Type - pieces		V-5 / H-0 / X-5+3	V-5 / H-0 / X-5+3	V-5 / H-0 / X-5+3
Driving power (ranging from - to)	kW		37 - 2 x 45	37 - 2 x 75	45 - 3 x 75
Hydraulic pump flow (ranging from - to)	l/min		260 - 2 x 260	260 - 2 x 420	260 - 3 x 420
Oil reservoir capacity (ranging from - to)	l		750 - 1250	750 - 2100	750 - 3100
Maximum performance without material (ranging from - to)	max. m <sup>3</sup> /h		415 - 720	350 - 883	298 - 1049
			<b>Baler Capacity (Tonnes per Hour)</b>		
• 15 kg/m <sup>3</sup> (e.g. foil) (ranging from - to)	ca t/h		4 - 7	3 - 9	3 - 11
• 35 kg/m <sup>3</sup> (e.g. flattened OCC) (ranging from - to)	ca t/h		9 - 17	7 - 21	7 - 26
• 60 kg/m <sup>3</sup> (e.g. mixed paper) (ranging from - to)	ca t/h		15 - 28	12 - 35	12 - 42
• 80 kg/m <sup>3</sup> (e.g. mixed paper) (ranging from - to)	ca t/h		18 - 35	16 - 43	15 - 53
• 100 kg/m <sup>3</sup> (e.g. newspaper, magazines) (ranging from - to)	ca t/h		22 - 40	18 - 49	18 - 60
Baler weight (dependent on options)	t		26	31	36
Sound level without material at 1 m distance	dB(A)		< 85	< 85	< 85



KONTI 275	A*	B	C	D	E*	G*	H*	I	K	L	M	N	O	P	R
Vertical	11005	2230	5150	1600	4432	5232	5773	2800	450	750	3670	1020	860	1100	-
Crossed	11005	2230	5150	1600	4432	5232	5773	2800	450	750	3670	1020	860	1100	3388

KONTI 325	A*	B	C	D	E*	G*	H*	I	K	L	M	N	O	P	R
Vertical	12085	2530	5150	1750	5132	6007	6078	2800	450	750	3670	1020	860	1100	-
Crossed	12085	2530	5150	1750	5132	6007	6078	2800	450	750	3670	1020	860	1100	3388

KONTI 425	A*	B	C	D	E*	G*	H*	I	K	L	M	N	O	P	R
Vertical	13290	2650	5150	2000	5732	6732	6558	2800	450	750	3670	1020	860	1100	-
Crossed	13290	2650	5150	2000	5732	6732	6558	2800	450	750	3670	1020	860	1100	3388

Dimensions are in millimeters.

\*Maximum length for specified hopper opening

Specifications are for reference only and subject to change.