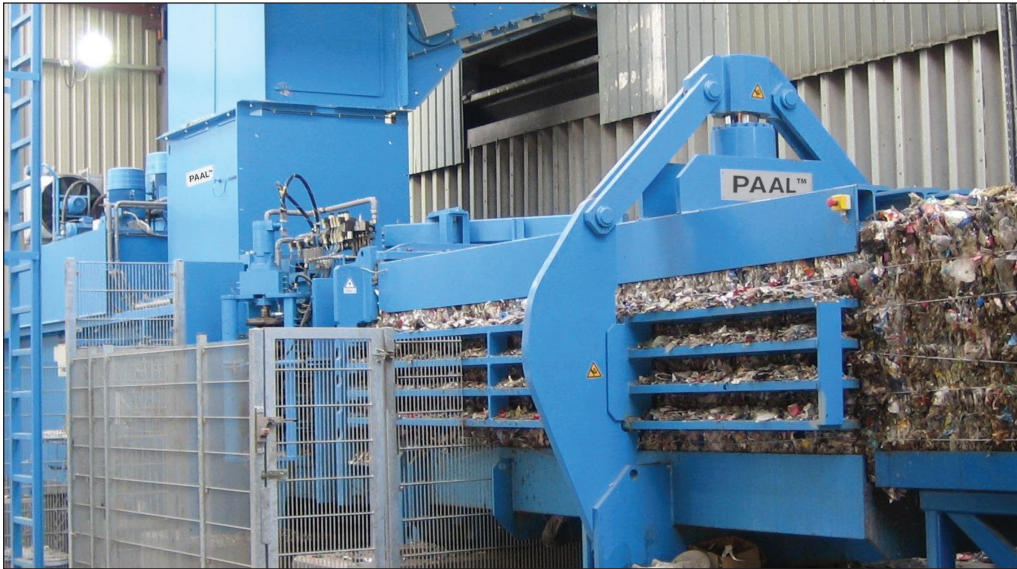


DOKON 275 Baler

H2-Series



Kadant PAAL's DOKON fully automatic channel baler's unique design makes the PAAL DOKON baler a powerful, efficient bale press with horizontal twine tying system. The PAAL DOKON baler provides a pressing force of 90 to 218 tons and offers a bale format of 32" x 44" or 44" x 44". The combination of high pressing force, independence from the cutting and compressing process, and patented pre-press setting combined with individual channel adjustment lead to high quality baling results.

Today's Kadant PAAL GmbH was founded as the PAAL printing works in 1854 in Osnabrück, Germany before concentrating on manufacturing balers in 1906 since when it has delivered more than 31,000 machines. PAAL launched the first continuously operated horizontal baler in 1960 and today is firmly established as the #1 channel baler manufacturer in Europe.

PAAL®

DOKON Baler H2-Series Overview



Features

- Optimised knife, stamper, and channel design
- Modern axial piston pumps with low drive power
- Advanced positional ram measurement system
- Twine tying

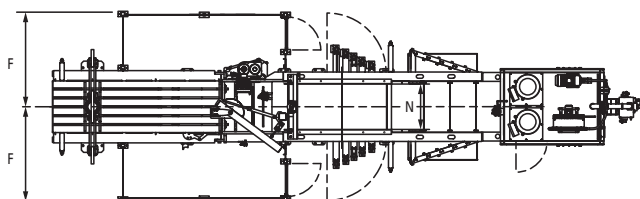
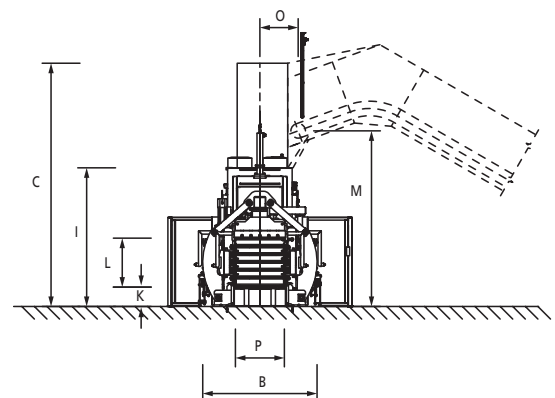
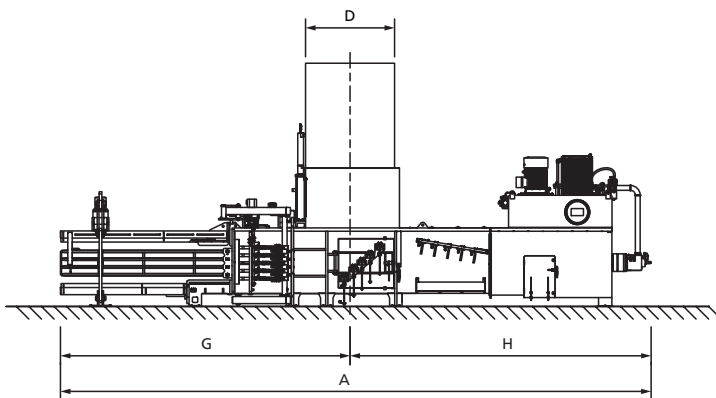


Benefits

- High throughput and bale weight
- Low energy consumption
- Easy disposal and no interference in a waste incineration process of the twine
- Low operation and maintenance costs
- Easy transport, storage, and handling of the spools
- Increased safety
- Low consumable costs by twine (approximately half the costs compared to wire)

Technical Data and Measurements

| DOKON Baler H2-Series | | 275 | | | | | | | |
|--|--------------------|-----------|-----|-----|-----|------|------|---------|---------|
| Pressing force | t (kN) | 82 (802) | | | | | | | |
| Spec. pressing force | N/cm ² | 91 | | | | | | | |
| Hydraulic reference pressure | bar | 315 | | | | | | | |
| Tunnel cross section | cm | 80 x 110 | | | | | | | |
| Hopper opening | cm | 160 x 102 | | | | | | | |
| Feeding volume | ca. m ³ | 2,1 | | | | | | | |
| Number of wires | pieces | 4 | | | | | | | |
| Driving power | kW | 15 | 22 | 37 | 45 | 55 | 75 | 2 x 37 | 2 x 45 |
| Hydraulic pump flow | l/min | 110 | 110 | 260 | 260 | 420 | 420 | 2 x 260 | 2 x 260 |
| Oil reservoir capacity | l | 550 | 550 | 750 | 750 | 1250 | 1250 | 1250 | 1250 |
| Maximum performance without material | m ³ /h | 304 | 304 | 415 | 415 | 611 | 611 | 720 | 720 |
| Press Capacity (Weight) | | | | | | | | | |
| • 100 kg/m ³ (ej. CSR) | ca. t/h | 11 | 13 | 22 | 24 | 30 | 33 | 36 | 37 |
| • 150 kg/m ³ (ej. CSR) | ca. t/h | 15 | 18 | 29 | 31 | 38 | 43 | 45 | 48 |
| • 200 kg/m ³ (ej. CSR) | ca. t/h | 18 | 23 | 31 | 33 | 41 | 46 | 48 | 51 |
| Baler weight (dependent on options) | t | 25 | | | | | | | |
| Sound level without material at 1 m distance | dB(A) | < 85 | | | | | | | |



| | A | B | C | D | F | G | H | I | K | L | M | N | O | P |
|--------------|-------|------|------|------|------|------|------|------|-----|-----|------|------|-----|------|
| DOKON 275 H2 | 11500 | 2354 | 5185 | 1600 | 2050 | 5307 | 6193 | 2835 | 435 | 800 | 3650 | 1020 | 920 | 1100 |

Dimensions are in millimetres.

Specifications are for reference only and subject to change.